



SOUND ADVANCE SYSTEMS

## INSTALLATION INSTRUCTIONS

# BT82 Loudspeaker with Accessories

<b>MODEL:</b>	BT82, BT82i, BT82T8, BT82iT8, BT82T32, BT82iT32
<b>MOUNTING LOCATIONS:</b>	Truss, Joist, Beam, Pole, Column, Wall Mount or Pendant Hang.
<b>SUPPLIED ACCESSORIES:</b>	Neutrik Speakon® NL4CFC S.A.S p# 211.002
<b>REQUIRED ACCESSORIES:</b>	EBLT-M, BKT-L, STND-U

## TECHNICAL SPECIFICATIONS

### DIMENSIONS

Unless otherwise specified all dimensions are in inches (mm)

### WEIGHT

BT82, BT82i 14.2 lbs. (6.42 kg.); BT82T8, BT82iT8 14.9 lbs ( 6.79 kg.); BT82T32, BT82iT32 15.5 lbs. (7.05 kg.).

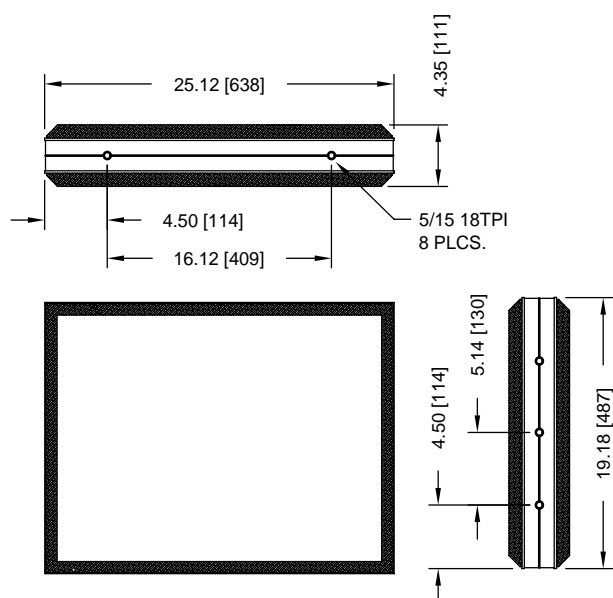


fig. 1

### MODELS

**BT82** - 8 ohms, Dual Driver Outdoor Speaker

**BT82T8** - Dual Driver Outdoor Speaker W/8 Watt Transformer

**BT82T32** - Dual Driver Outdoor Speaker W/32 Watt Transformer

**BT82i** - 8 ohms, Dual Driver Indoor Speaker

**BT82iT8** - Dual Driver Indoor Speaker W/8 Watt Transformer

**BT82iT32** - Dual Driver Indoor Speaker W/32 Watt Transformer

### RECOMMENDED MOUNTING LOCATIONS

SOUND ADVANCE products provide outstanding performance and economic advantages when installed in environments with an ambient noise level at or below 75dBA, where the speakers can be placed between 8 and 18 feet above the floor, and which are large enough to accommodate at least 4 or more conventional

loudspeakers. When system design requirements indicate speaker to speaker distances of greater than 40.0 ft., please contact the factory for additional technical information on such applications.

Truss, Joist, Beam, Pole, Column, Wall Mount or Pendant Hang Using Optional Accessories

### RECOMMENDED ENVIRONMENTS

Outdoor - BT82 Series (black finish only)

Indoor - BT82i Series (black or white finish)

### FACTORY PROVIDED FINISH

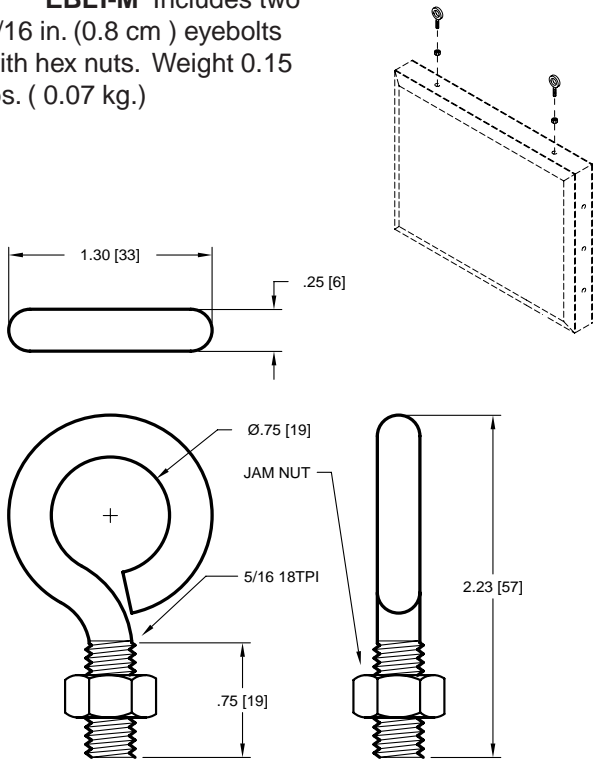
**BT82** Series, black finish only

**BT82i** Series, black or white finish

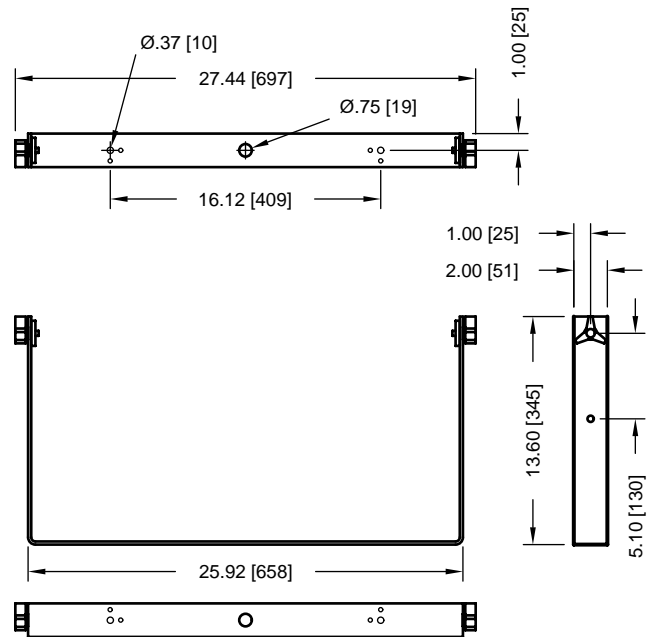
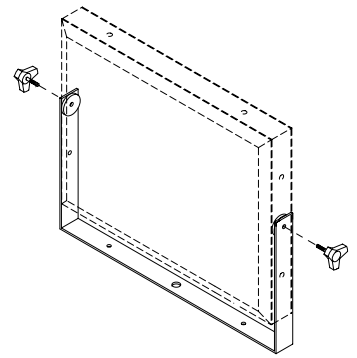
# ACCESSORIES DATA

## INSTALLATION HARDWARE

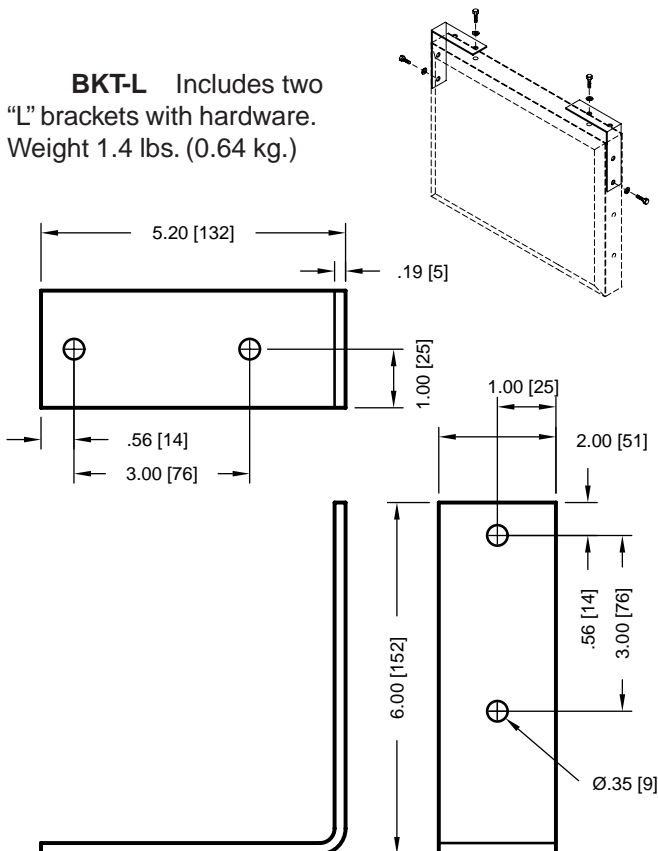
**EBLT-M** Includes two 5/16 in. (0.8 cm) eyebolts with hex nuts. Weight 0.15 lbs. (0.07 kg.)



**STND-U** Includes "U" bracket, knobs and hardware for tilt/swivel mounting. Weight 5.2 lbs. (2.35 kg.)



**BKT-L** Includes two "L" brackets with hardware. Weight 1.4 lbs. (0.64 kg.)



**IMPORTANT NOTE:** The proper orientation for any BT8 series product is perpendicular to the floor and wall of the area in question. For any other orientation please consult with the factory before installation or specification.

## INSTALLATION

The BT82 Series loudspeakers may be mounted using any of the brackets or fixtures shown above. If the loudspeakers are to be suspended instead of directly hung from the brackets or other mounting hardware, insure that the material chosen, and the suspension points are of sufficient strength to meet all applicable code requirements and adequately support the weight of the speaker and the hardware. If needed, a structural engineer or rigging contractor should be consulted. If the speaker is to be mounted outdoors wind loading should be considered.

If the loudspeaker is to be mounted directly to a truss, ceiling joist, structural or decorative beam, pole, structural or support column, or to a wall, ensure that the chosen structure is capable of supporting the weight involved, and that the mounting system can be attached by approved methods that will meet all applicable code requirements.

## WIRING

The BT82 Indoor Series Loudspeakers using either a 70.7V or 100V transformer (8W or 32W) are fitted with a barrier strip connector, which will accept cable of AWG12-22 in size. In all cases the Common or Ground lead should be connected to the terminal marked GR. The Plus or + lead should be connected to the selected/specified terminal marked with the wattage desired.

On versions using the SOUND ADVANCE T8 - 8W transformer these terminals are marked: 1W, 2W, 4W or 8W.

On versions using the SOUND ADVANCE T32 - 32W transformer these terminals are marked: 16W, and 32W.

The BT82 Outdoor Series loudspeakers come fitted with a Neutrik Speakon® NL4FC male connector. Depending on your particular application (8 Ohm or 70.7V/100V using a transformer), please wire the supplied Neutrik Speakon® female connector (shown in Fig. 1) according to the following instructions:

Wiring the Neutrik Speakon® connectors used with the SOUND ADVANCE BT82 Loudspeaker:

If you are using BT82 Outdoor Series loudspeakers operating in an 8 Ohm application:

- Connect the +1 pin to Plus or 8 Ohms
- Connect the -1 pin to Common or Ground

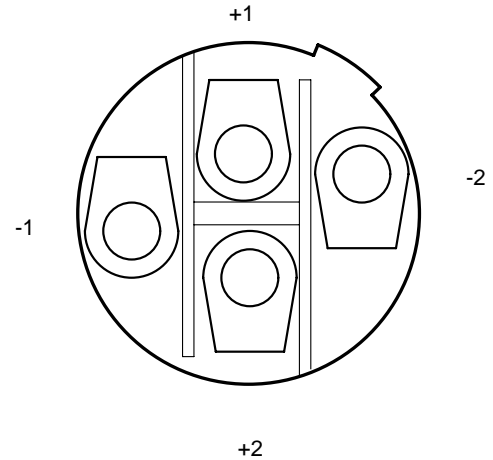


fig. 1

The +2 and -2 pins are not used in 8 Ohm applications and should be left unconnected.

**IMPORTANT NOTE: Up to four (4) BT82 loudspeaker systems may be combined in a series / parallel wiring configuration while maintaining the nominal 8 Ohm load. ( see fig. 2)**

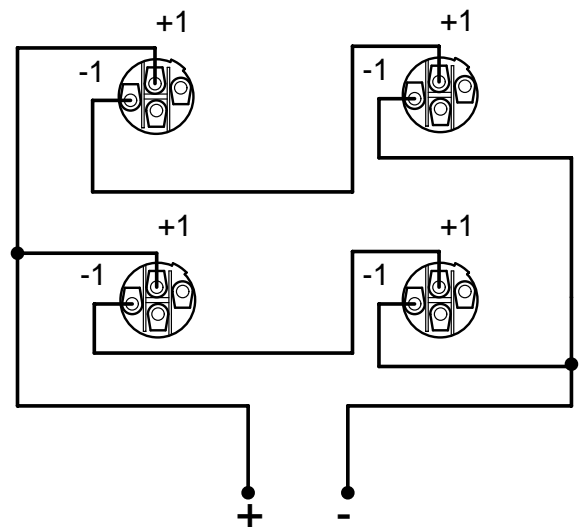
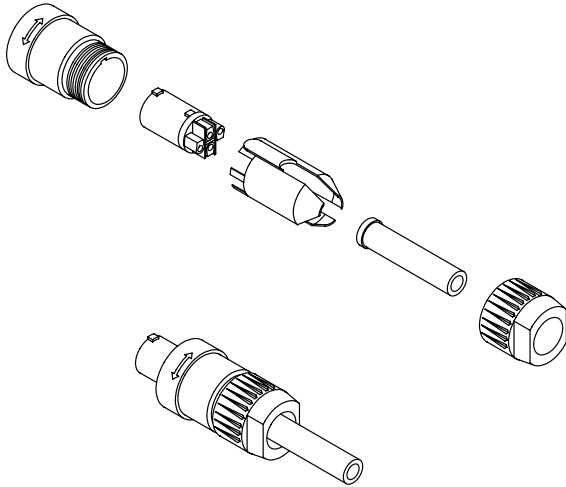


fig. 2



*fig. 18* If you are using BT82T8 Outdoor Series loudspeakers fitted with a 70.7V or 100V 8 watt transformer.

The -2 pin should be connected to Common or Ground lead.

To use the 8 watt tap connect the +1 pin to the Plus lead.

To use the 4 watt tap connect the +2 pin to the Plus lead.

To use the 2 watt tap connect the -1 pin to the Plus lead.

If you are using BT82T32 Outdoor Series loudspeakers fitted with a 70.7V or 100V 32 watt transformer.

The -2 pin should be connected to Common or Ground lead.

To use the 32 watt tap connect the +1 pin to the Plus lead.

To use the 16 watt tap connect the +2 pin to the Plus lead.

The -1 pin is not used in this application and should be left unconnected.

**NOTE: For assembly/disassembly information for the Neutrik Speakon® connector please see Fig. 3**

If a situation should arise which cannot be resolved through the information contained in these installation instructions, please contact SOUND ADVANCE SYSTEMS , Customer Support Services at (800) 592 4644 or (714)556-2378 Monday-Friday 7 AM to 5 PM Pacific Time. FAX (714) 556 5425

*SPEAKON is a registered trademark of Neutrik USA.*



**SOUND ADVANCE SYSTEMS Inc.**

3202 So. Shannon St., Santa Ana, CA 92704-6353  
 (714)556-2378 (800)592-4644 FAX (714)556-5425  
 WWW.SOUNDADVANCE.COM